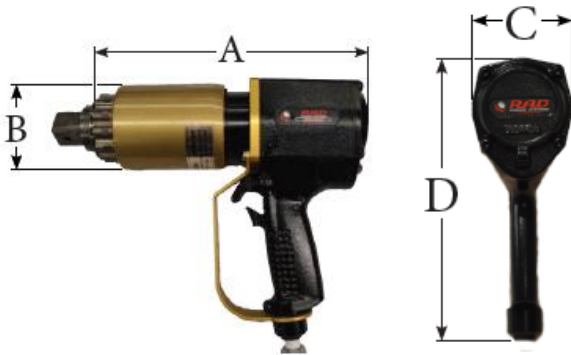


# RAD Torque Tools - Nutrunners



- Available in Several Models
- **Pneumatic ( Air Driven )**
- 85DbA Noise Level
- Accessories available
- Single speed models show some models available in Auto 2 speed gearbox
- Accuracy +- 4% , Repeatability +- 2%
- Min Air - 30CFM + Required

Models	10gx	15dx	2000	25gx	30dx	34gx	50dx	60dx	85dx	110dx	
Sq Drive	3/4 "	1"	1"	1 "	1 "	1 "	1 - 1/2"	1 - 1/2"	1 - 1/2"	1 - 1/2"	
RPM	20	10	13	9	8	12	6.7	6.6	4.5	3	
Ftlbs	200-1000	300-1500	500-2000	500-2500	900-3000	1000-3400	1500-5000	2000-6000	3000-8500	4000-11000	
NM	271-1356	407-2034	678-2712	678-3390	1220-4068	1356-4610	2034-6779	2711-8135	4068-11525	5423-14914	
Weight KG	3.6	3.9	5.9	6.1	6.7	9	10.6	12.5	17.5	19.1	
Size	A	228	200	228	246	254	325	286	348	431	353
Size	B	63	70	76	77	81	86	95	114	120	127
Size	C	69	65	83	83	84	93	95	101	127	127
Size	D	228	225	241	241	241	264	264	277	279	281



NB: Comes with Tool holder and 3m hose + site box



Torque-Portapower-Industrial

QLD Sales & Service: 0422 262 754 / NSW Sales & Service: 0432 103 479

Email: [info@alltorqtools.com.au](mailto:info@alltorqtools.com.au)

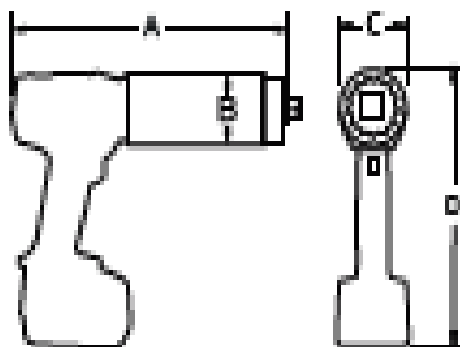
Head Office PH: 07 3419 9480

# RAD Torque Tools - Nutrunners



- Available in Several Models
- **Battery ( 18 Volt Rechargeable )**
- Accessories available
- Single speed & Auto 2 speed gearbox models show
- Accuracy +-5% , Repeatability +-2%
- Adjustable by increments of 10nm(Ftlb's)

B-RAD BL SELECT SERIES ( 18 Volt Rechargeable )								
Models	500	1000	1000-2	1500	1500-2	3000	3000-2	5000
Sq Drive	3/4 "	3/4 "	3/4 "	1 "	1 "	1 "	1 "	1 - 1/2"
RPM	21.5	10.5	71	6	19.5	3	20	2.1
Ftlbs	130-500	200-1000	200-1000	300-1500	300-1500	600-3000	600-3000	1000-5000
NM	170-700	270-1400	270-1400	400-2000	400-2000	800-4000	800-4000	1350-7000
Weight KG	3.5	3.5	4.3	4	4.9	6	6.7	8.8
Size	A	231	231	279	244	298	337	295
Size	B	63	63	63	69	69	81	81
Size	C	67	67	67	69	69	81	81
Size	D	262	262	262	262	262	266	266



Torque-Portapower-Industrial

QLD Sales & Service: 0422 262 754 / NSW Sales & Service: 0432 103 479

Email: [info@alltorqtools.com.au](mailto:info@alltorqtools.com.au)

Head Office PH: 07 3419 9480