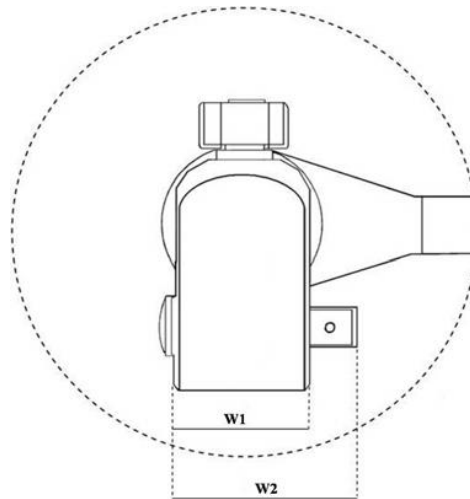
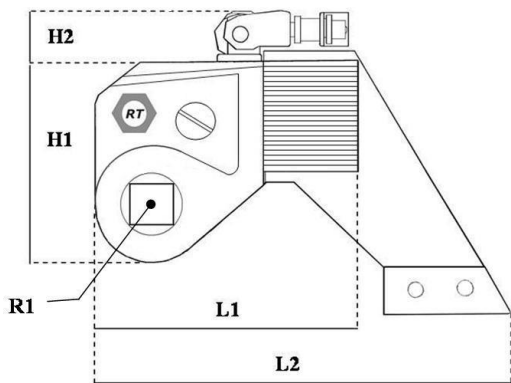


# Hydraulic Hi-Torque Wrench



- Available in Several Models
- 700 bar / 10,000 psi
- Double Acting System
- Accessories available
- Compatible with all Torque Wrench Pumps

Models		0.5	1	3	5	8	10	20	25	50
Square drive		1/2	3/4	1	1 1/2	1 1/2	1 1/2	2 1/2	2 1/2	2 1/2
Min Torque	Ftlb's	55	200	480	835	1200	1755	2960	3960	7875
	Nm	75	271	651	1132	1627	2379	4013	5368	10675
Max Torque	Ftlb's	397	1340	3230	5590	8000	11520	19760	25890	52500
	Nm	538	1817	4379	7578	10845	15617	26787	35096	71169
Weight	Kg	0.4	1.9	3.9	7.5	11.5	13.4	24.7	31	60
L1	mm	81	120	155	185	202	232	259	310	390
L2	mm	125	183	237	288	321	357	420	473	615
H1	mm	60.5	90.5	120	144.5	164.6	186	216	234	294
H2	mm	93	122	156	181	213	239	251	282	344
R1	mm	13.5	23	33	37	41	48	55	61	79
W1	mm	33.5	50	66.5	80	88	100	119	134	167
W2	mm	50.5	71	95.5	126	126	142.5	170	191	228



Torque-Portapower-Industrial

QLD Sales & Service: 0422 262 754 / NSW Sales & Service: 0432 103 479

Email: [info@alltorqtools.com.au](mailto:info@alltorqtools.com.au)

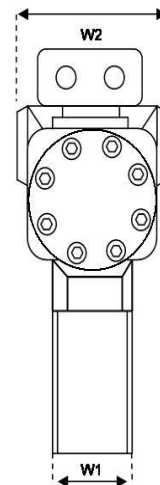
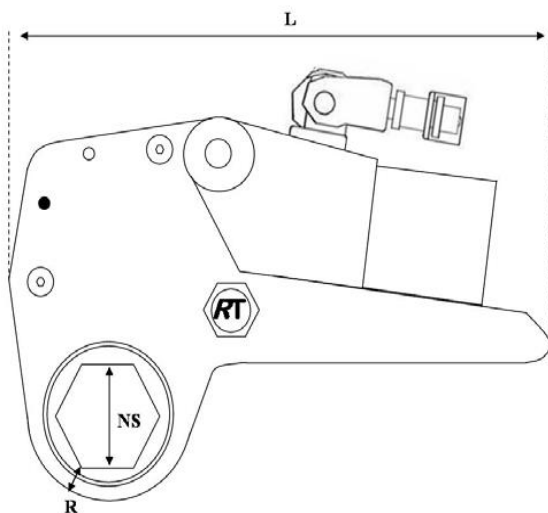
Head Office PH: 07 3419 9480

# Hydraulic Hi-Torque Wrench



- Available in Several Models
- 700 bar / 10,000 psi
- Double Acting System
- Accessories available
- Compatible with all Torque Wrench Pumps

Models		2	4	8	14	30
Hex Size Imp		3/4 - 2 3/4	7/8 - 3 1/8	1 5/8 - 4 1/8	2 1/2 - 4 3/4	3 1/2 - 6 1/2
Hex Size mm		19 - 65	22 - 80	46 - 110	60 - 120	90 - 165
Min Torque	Ftlb's	255	580	1143	2010	4770
	Nm	346	786	1549	2725	6466
Max Torque	Ftlb's	1710	3855	8151	13400	31800
	Nm	2318	5226	11049	18165	43108
Weight	Kg	2.2	4.9	10	18	39
L	mm	183	248	308	372	tba
NS	mm	19 - 65	22 - 80	46 - 110	60 - 120	90 - 165
R	mm	9	12	15	18.5	tba
W1	mm	32	42	53	63	83
W2	mm	49	65	82	99	132



Torque-Portapower-Industrial

QLD Sales & Service: 0422 262 754 / NSW Sales & Service: 0432 103 479

Email: [info@alltorqtools.com.au](mailto:info@alltorqtools.com.au)

Head Office PH: 07 3419 9480